

2cc acoustic coupler CM 312

Version: 1.1_20230809_EN



The CM 312 acoustic coupler is suitable for acoustic measurement of hearing AIDS and headphones. It is compatible with 1" and 1/2" microphones for use. Meets IEC 60318-5 requirements for 2cm^3 acoustic couplers.

The CM 312 is a cost-effective acoustic coupler designed specifically for audio production line testing of hearing aid or headphone products.

With MegaSig PM 0083 and other IEPE signal conditioner to achieve the best test results.

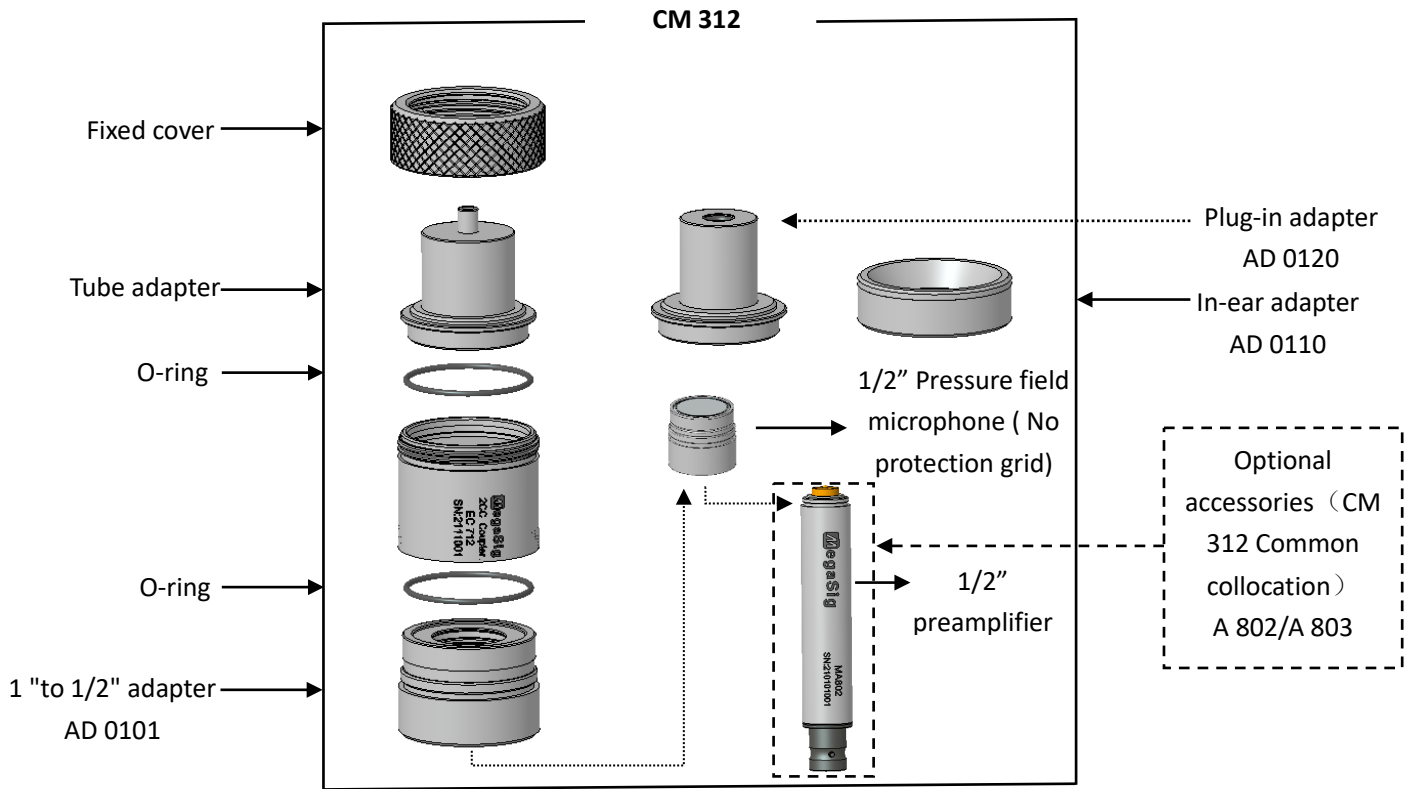
Product characteristics

- Meets IEC 60318-5 requirements for 2cm^3 acoustic couplers.
- Compatible with 1" and 1/2" microphones.

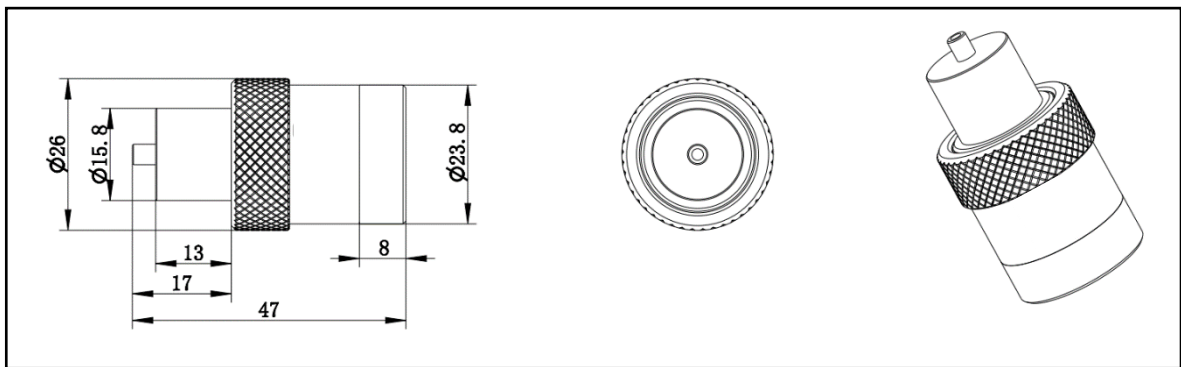
Specifications

Equivalent volume	2cm^3
Sensitivity	12mV/Pa (-38.4dB±2dB) re 1V/Pa
Dynamic range	33dB SPL-137dB SPL THD < 3%
Standard	IEC 60318-5 (60126)
Connector	BNC
Body material	Stainless steel
Working temperature	-20°C to 60°C
Temperature Coefficient	10- 90% no condensation
Storage condition	Temperature: $25^\circ\text{C}\pm 5^\circ\text{C}$, humidity: $50\%\pm 15\%\text{RH}$ (to ensure the long-term stability of the sensor)

Structure diagram:



Dimensions: mm



MegaSig reserves the right to change specifications and accessories without notice.



www.megasig.com

MegaSig Measurement & Control Technology Co.,Ltd

Tel: 0755-8950.8393

Fax: 0755-8950.8392

Sales email: sale@megasig.com

Technical support email: support@megasig.com

Address: Room 1002, Unit 2, Building 1, Hongxing Chuangzhi Plaza, Guangming District, Shenzhen,China